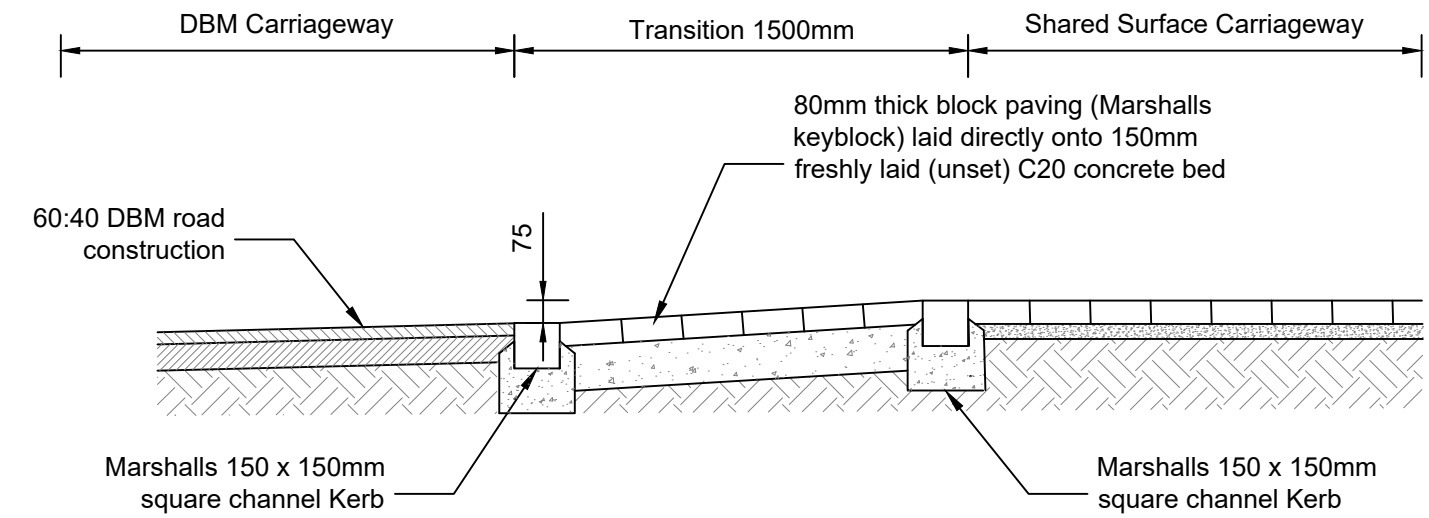
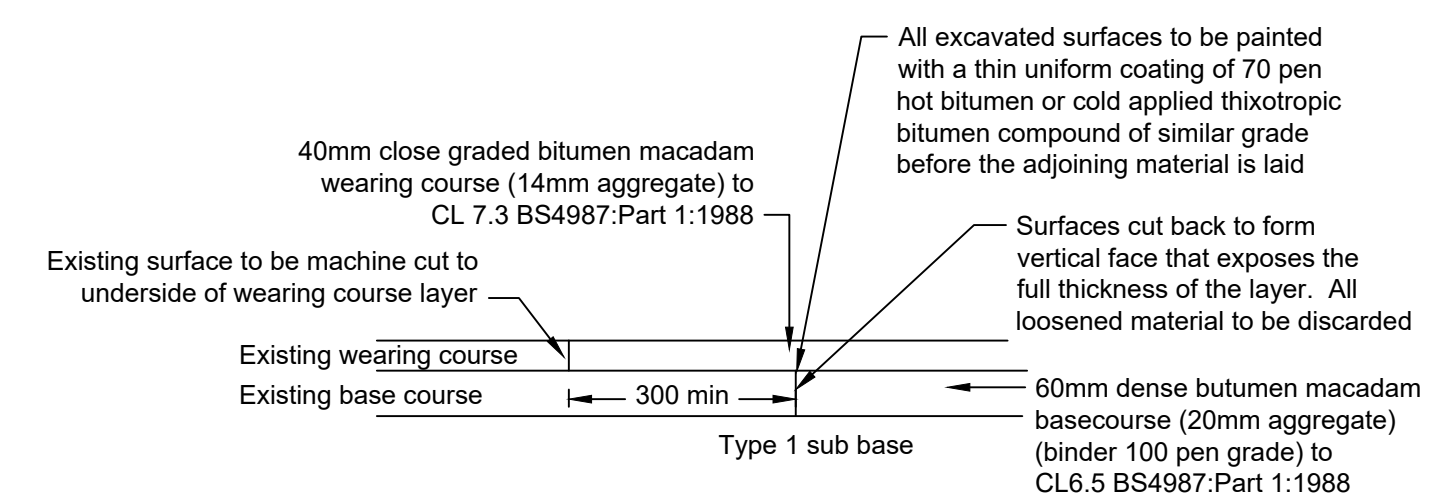


DBM FOOTPATH CONSTRUCTION
Scale 1:25

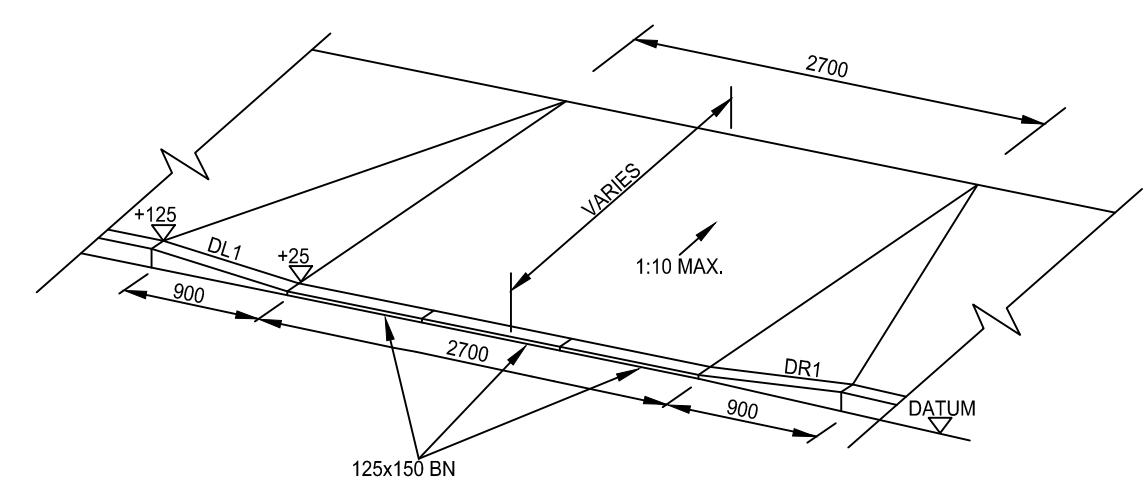


BLOCK PAVED TRANSITION SECTION
Scale 1:25

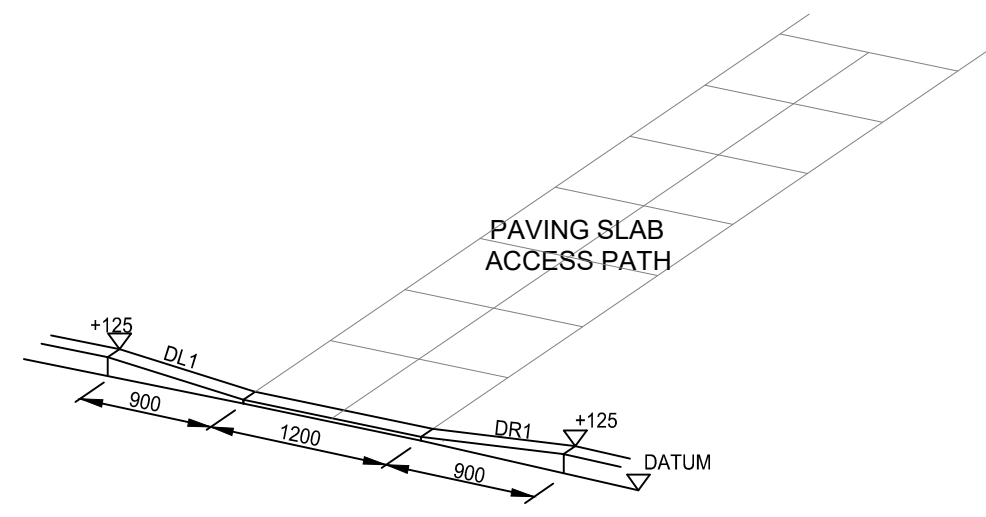


CONSTRUCTION JOINT IN BITUMEN MACADAM
SCALE 1:10

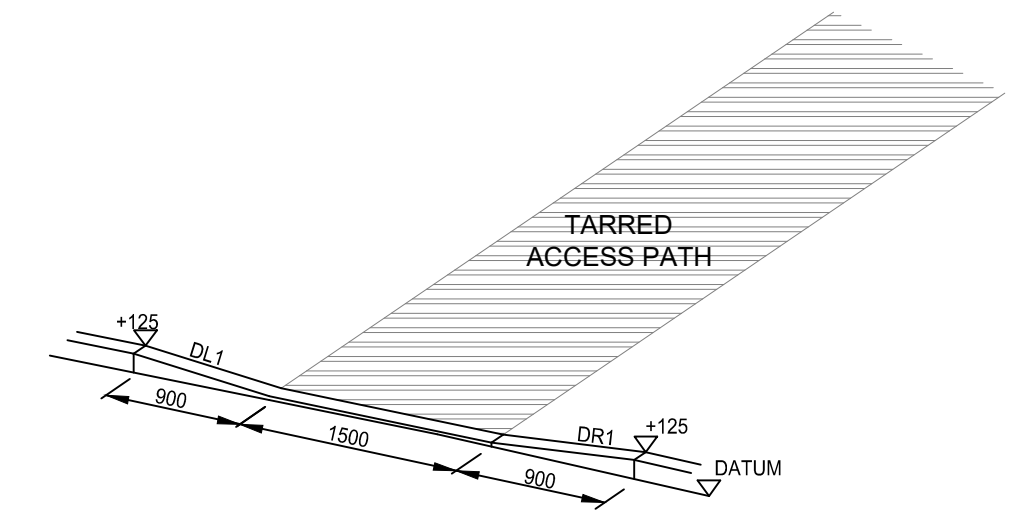
- Notes
- All dimensions are in millimetres unless noted otherwise.
 - New mains water infrastructure to be constructed in accordance with Scottish Water's "Water For Scotland" 3rd Edition technical standards.
 - All electricity cable trenching works to be carried out in accordance with SSE's technical guidance (TG-NET-CAB-001) available from the SEN website.
 - Street lighting electrical installation to be carried out in accordance with the current code of practice for street lighting BS 5489. The local Roads Authority Specification for Installation of Street Lighting and the Regulations for Electrical Installation 16th Edition as published by the Institute of Electrical Engineers.



VEHICULAR DROP KERB ACCESS
SCALE 1:50



HOMEZONE PEDESTRIAN DROP KERB ACCESS
SCALE 1:50



PEDESTRIAN DROP KERB TO TARRED ACCESS PATH
SCALE 1:50

Key to symbols

Reference drawings

Rev	Date	Drawn	Description	Ch'k'd	App'd
P1	01:21	EJW	Preliminary Issue	JM	KB

MOTT MACDONALD

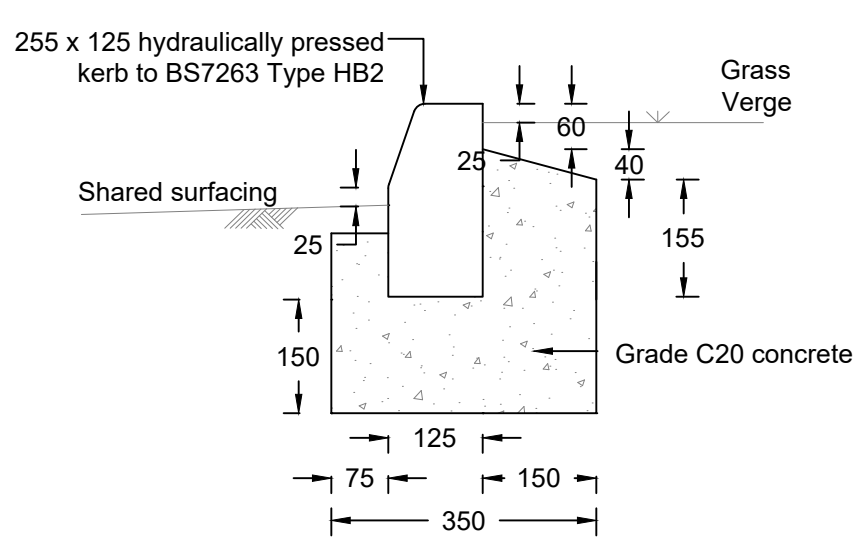
Greenhead
Lerwick
Shetland
ZE1 0PY
United Kingdom
T +44 (0)1595 695049
F +44 (0)1595 693404
W mottmac.com

Client
Hjattland Housing Association
2 Harbour Street
Lerwick
Shetland
ZE1 0LR

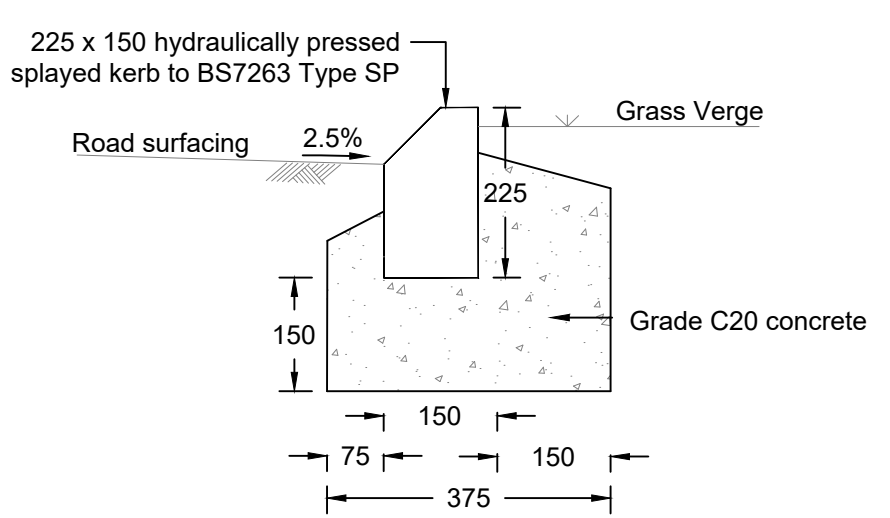
Title
Proposed Housing at Staneyhill, Lerwick
Work Stream 1 - Civils Infrastructure

Roads and Services
Construction Details (sheet 1 of 3)

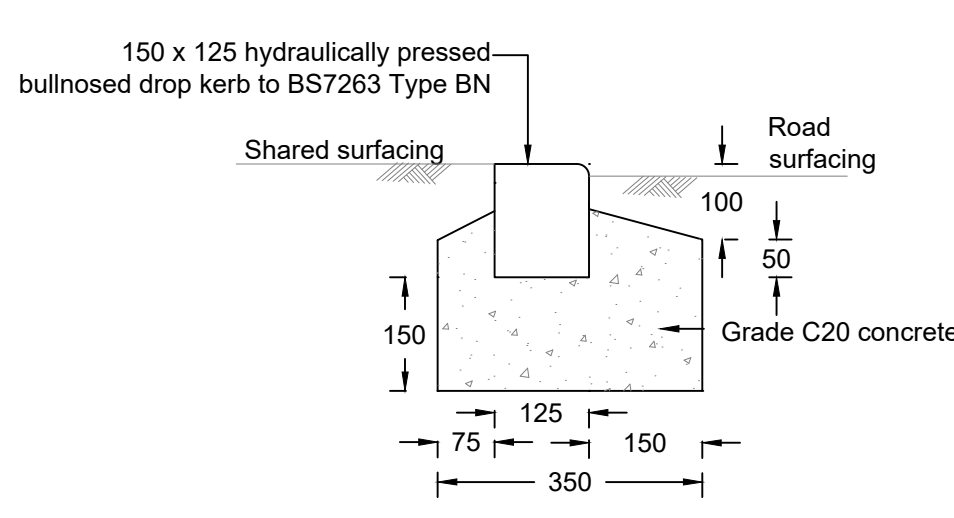
Designed	A Stout	AS	Eng check	J Moncrieff	JM
Drawn	E Wishart	EJW	Coordination	J Moncrieff	JM
Dwg check	A Stout	AS	Approved	K Burnett	KB
Scale at A1	Status	Rev	Security		
As Shown	PRE	P1	STD		
Drawing Number MMD-409577-C-DR-00-XX-1302					



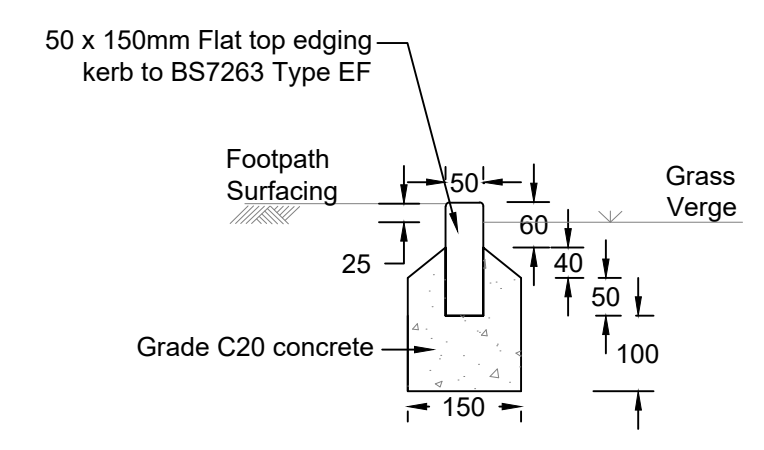
TYPICAL HB2 KERB AT ROAD EDGE
SCALE 1:10



TYPICAL SPLAYED KERB AT SHARED SURFACE
SCALE 1:10



TYPICAL BULLNOSED KERB AT ROAD TRANSITION
SCALE 1:10



TYPICAL EDGE KERB AT FOOTPATHS
SCALE 1:10

